



Installation instructions, accessories

Volvo Car Corporation Gothenburg, Sweden

Instruction No	Version	Part. No.
31414773	1.3	31373544

Towbar, hitch



IMG-382034



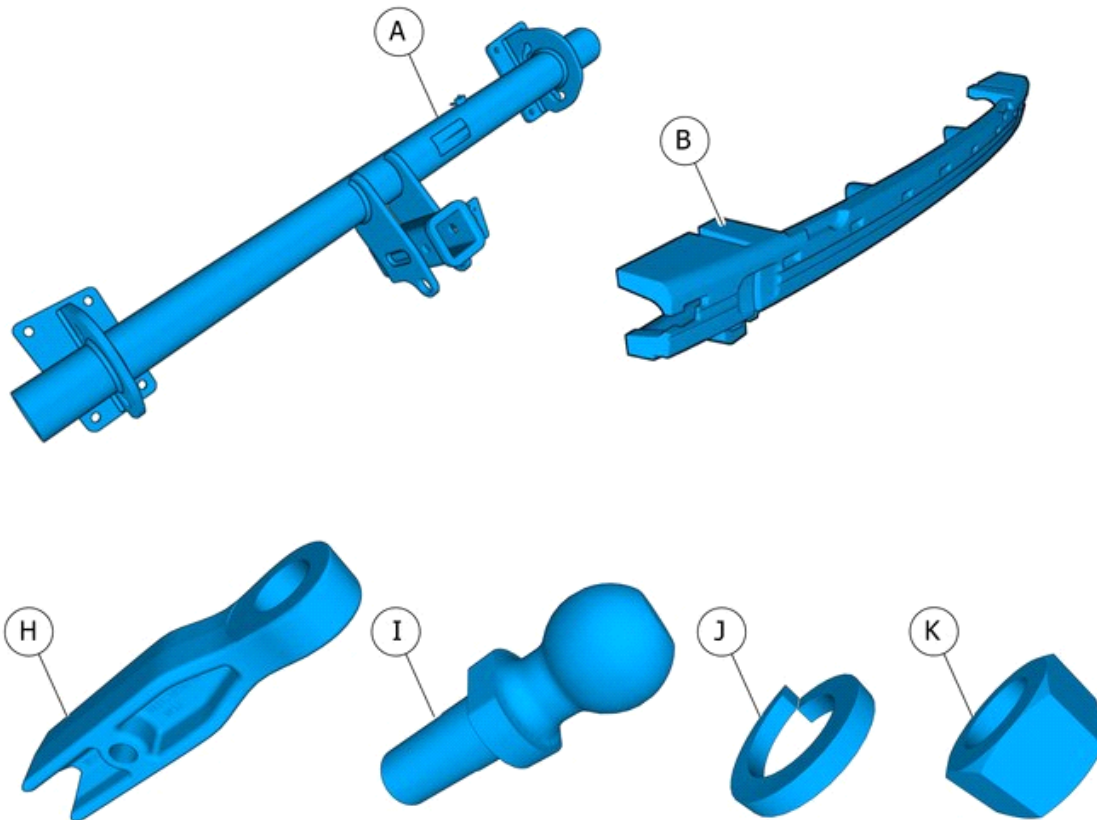
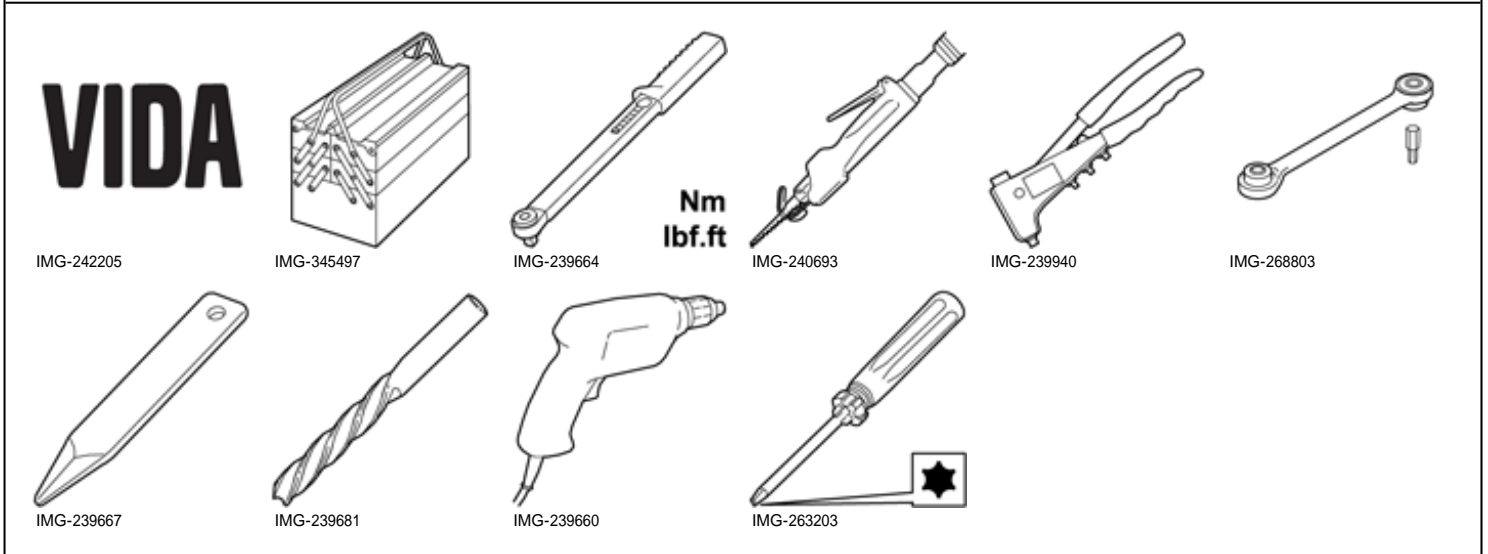
Installation instructions, accessories

Volvo Car Corporation Gothenburg, Sweden

Materials

Designation	Part number
Grease	30749880
Isopropanol	1161721

Equipment

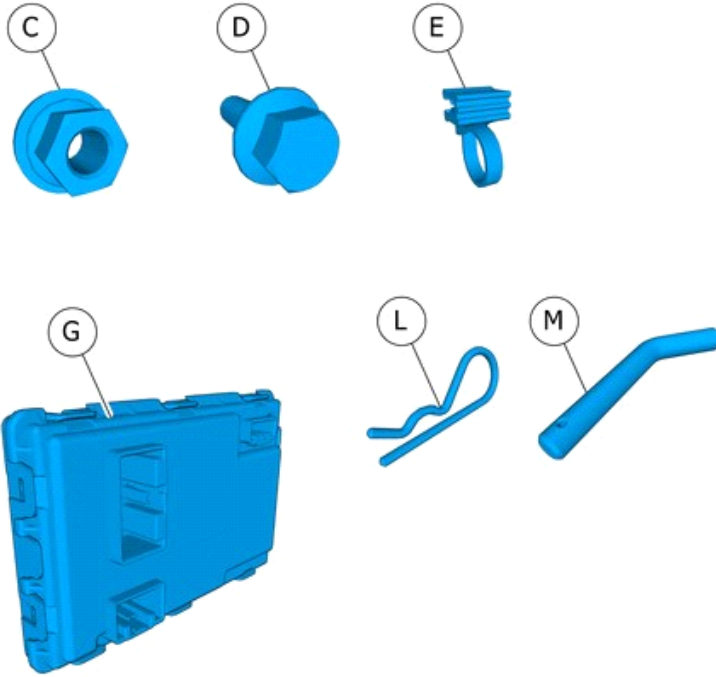


IMG-386608



Installation instructions, accessories

Volvo Car Corporation Gothenburg, Sweden

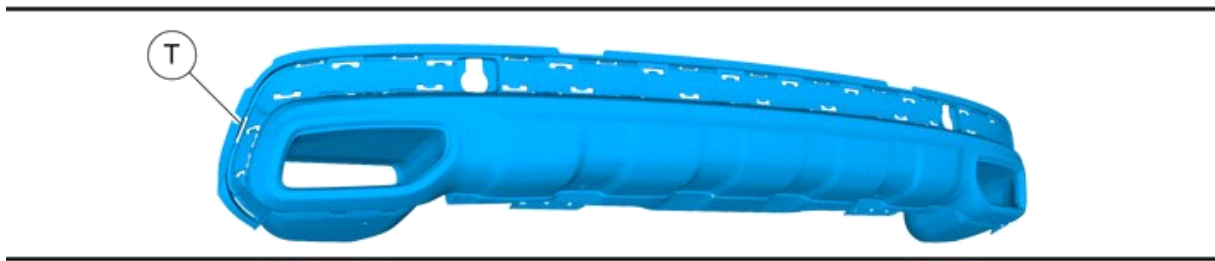
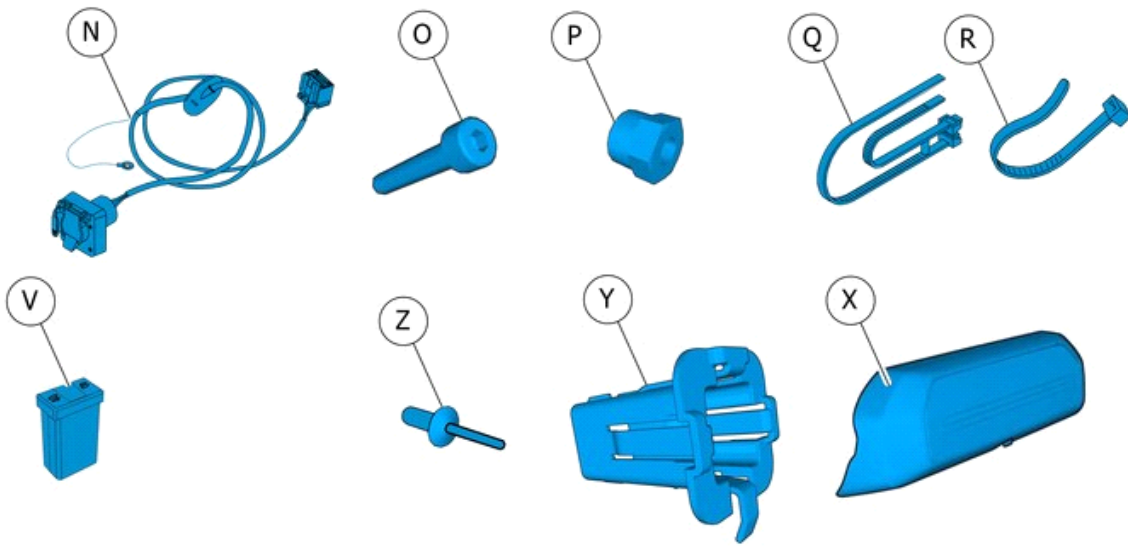


IMG-382007



Installation instructions, accessories

Volvo Car Corporation Gothenburg, Sweden



IMG-401076



Installation instructions, accessories

Volvo Car Corporation Gothenburg, Sweden

Information

1

Read through all of the instructions before starting installation.

Notifications and warning texts are for your safety and to minimise the risk of something breaking during installation.

Ensure that all tools stated in the instructions are available before starting installation.

Certain steps in the instructions are only presented in the form of images. Explanatory text is also given for more complicated steps.

In the event of any problems with the instructions or the accessory, contact your local Volvo dealer.

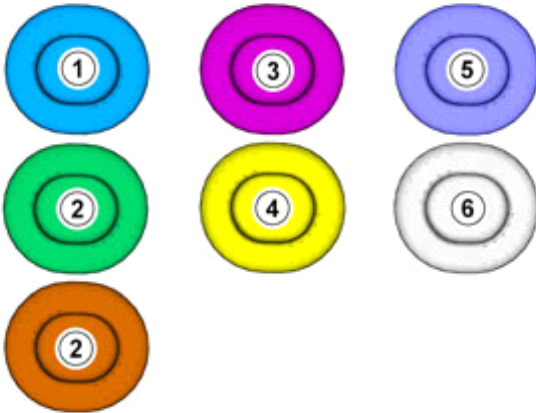
Further information

2

When installing, the car must retain a temperature of 20 degrees C.

Color symbols

3



IMG-363036

Note!

This colour chart displays (in colour print and electronic version) the importance of the different colours used in the images of the method steps.

1. Used for focused component, the component with which you will do something.
2. Used as extra colors when you need to show or differentiate additional parts.
3. Used for attachments that are to be removed/installed. May be screws, clips, connectors, etc.
4. Used when the component is not fully removed from the vehicle but only hung to the side.
5. Used for standard tools and special tools.
6. Used as background color for vehicle components.

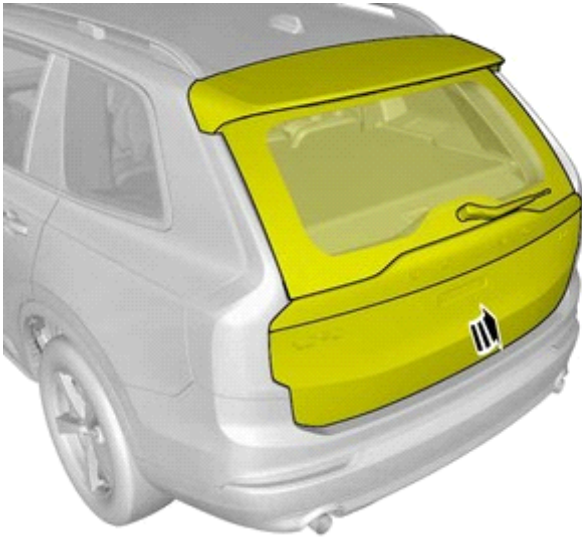
Removal



Installation instructions, accessories

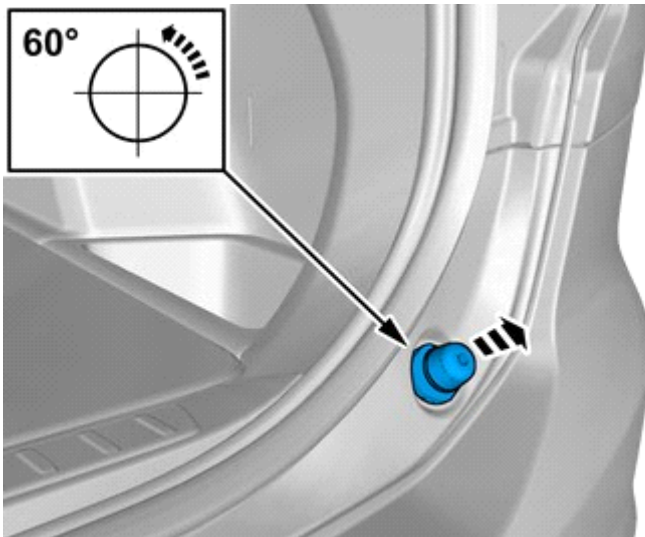
Volvo Car Corporation Gothenburg, Sweden

4



IMG-394779

5



IMG-398662

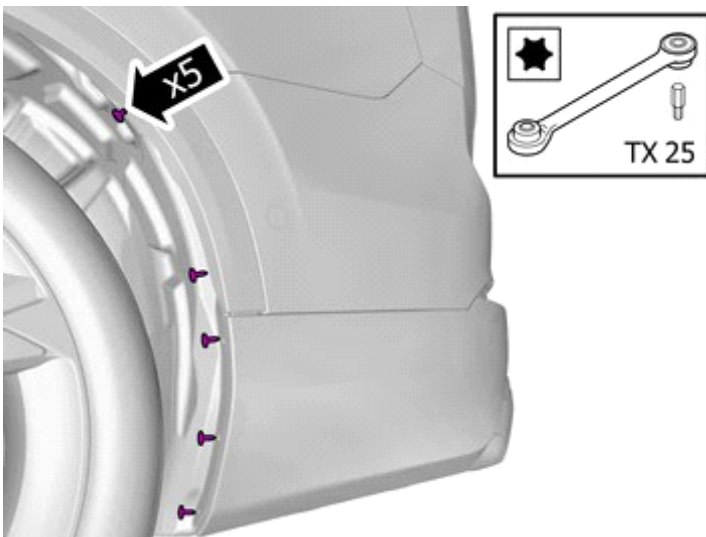
Make sure that the components are not mixed up at the installation.

Remove the marked part.

Use hands only.

Repeat on the other side.

6



IMG-403002

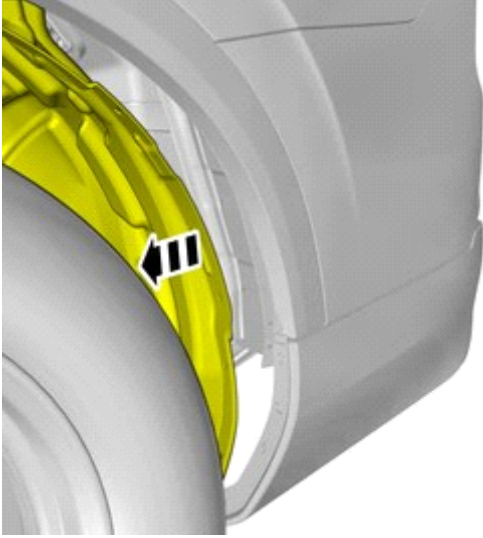
Remove the screws.



Installation instructions, accessories

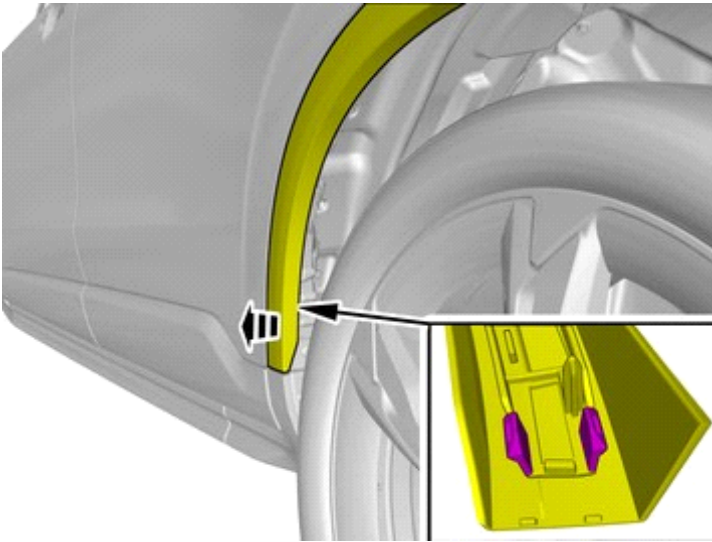
Volvo Car Corporation Gothenburg, Sweden

7 Fold the wing liner to one side.



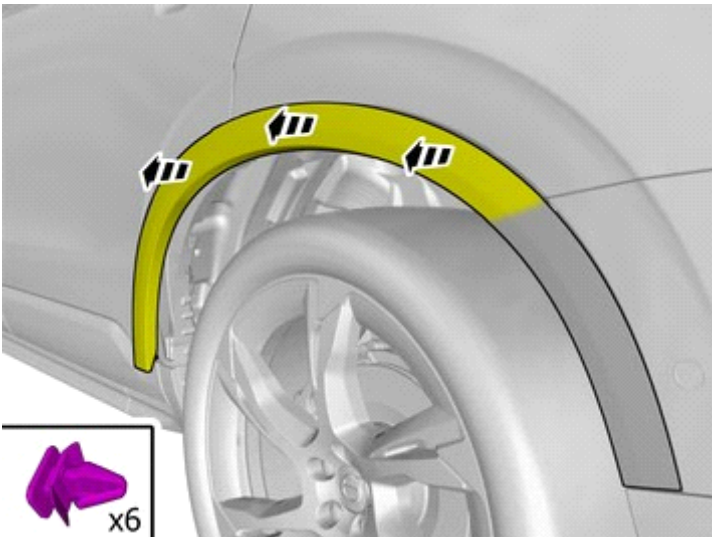
IMG-385738

8 Remove the part carefully
Release the catches.



IMG-402988

9 Remove the part carefully
Loosen the clips.



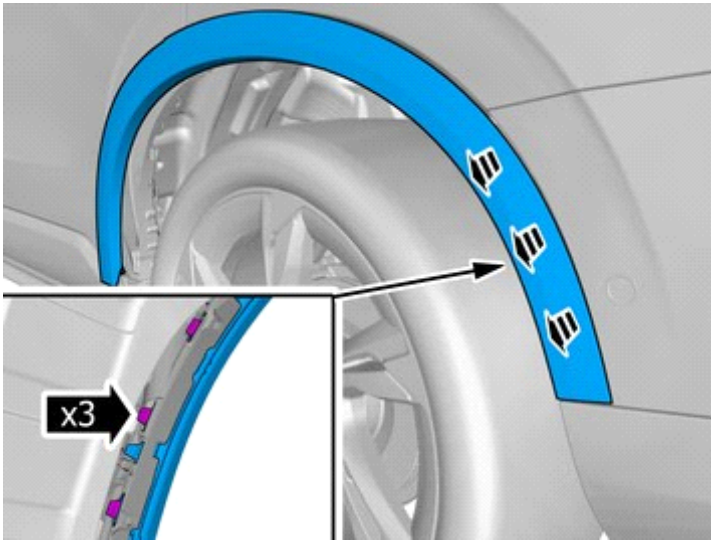
IMG-402987



Installation instructions, accessories

Volvo Car Corporation Gothenburg, Sweden

10

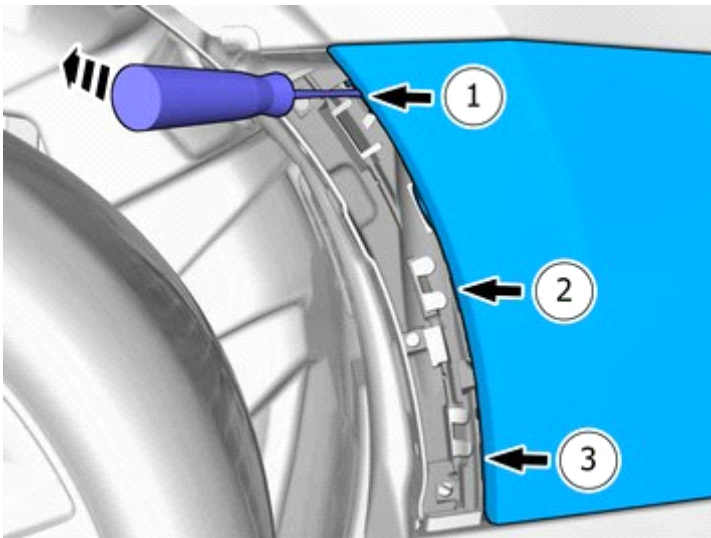


IMG-402986

Remove the part carefully

Remove the marked part.

11



IMG-401258

Release the catches.

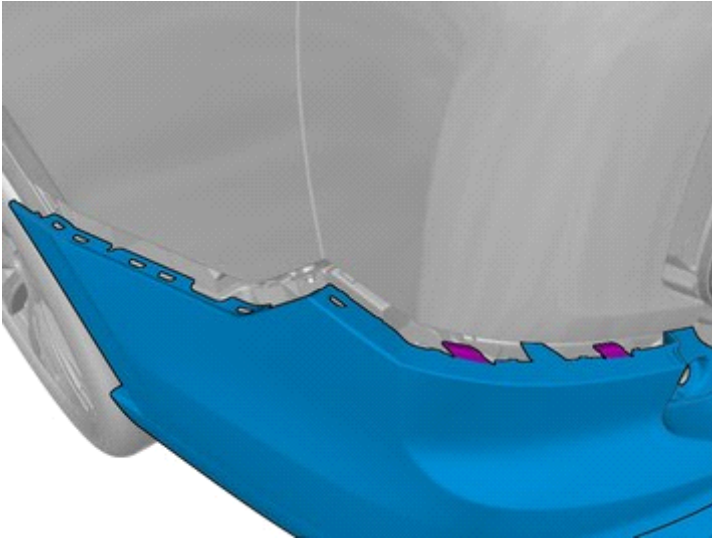
Remove the part carefully



Installation instructions, accessories

Volvo Car Corporation Gothenburg, Sweden

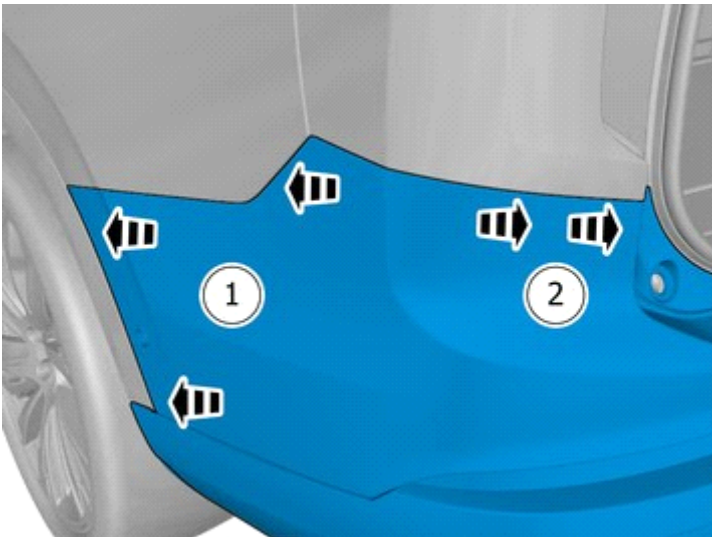
12



IMG-392800

Note!
Orientation view

13



IMG-392801

14

Repeat the steps when removing on opposite side.

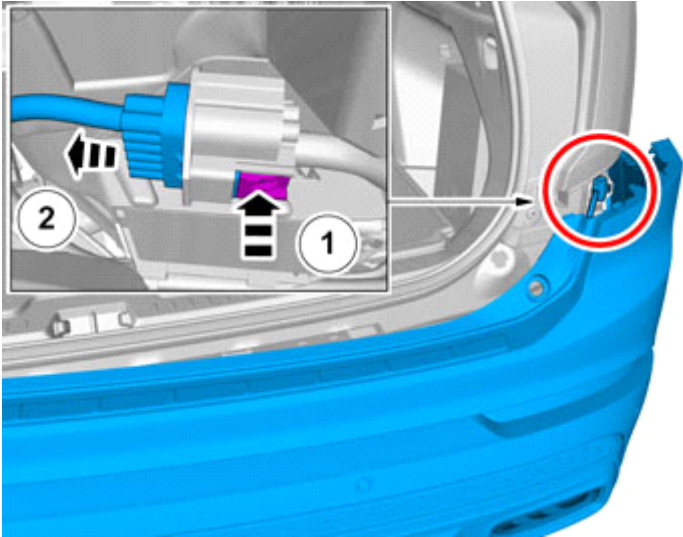
IMG-377070



Installation instructions, accessories

Volvo Car Corporation Gothenburg, Sweden

15



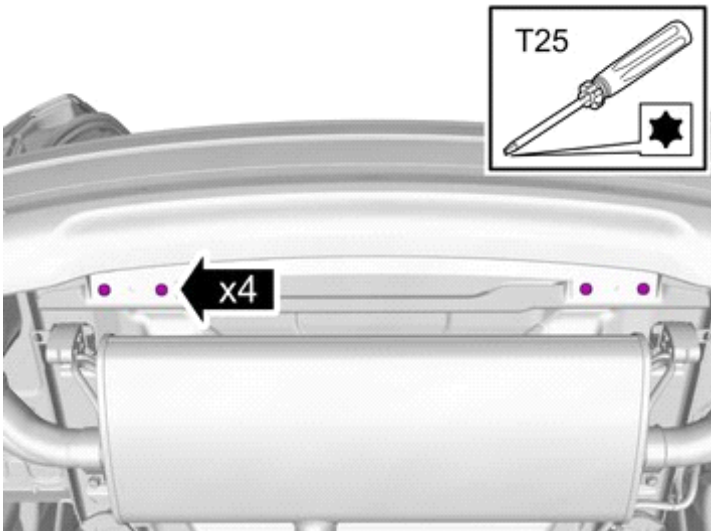
IMG-381918

Locate the connector.

Release the connector's catch.

Disconnect the connector.

16



IMG-381901

Remove the screws.

17



Caution!

Place the Bumper Cover on a suitable surface.

Request the aid of a colleague for this procedure.

Remove the marked part.

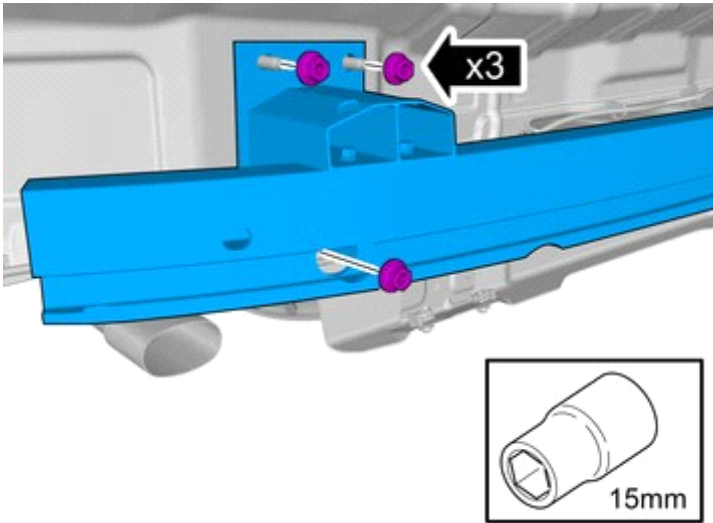
IMG-381867



Installation instructions, accessories

Volvo Car Corporation Gothenburg, Sweden

18



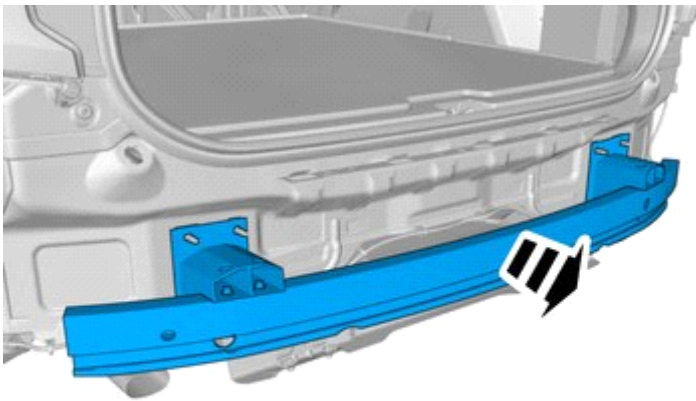
IMG-381872

Remove the nuts.

The part is not to be reused.

Repeat on the other side.

19



IMG-381912

The part is not to be reused.

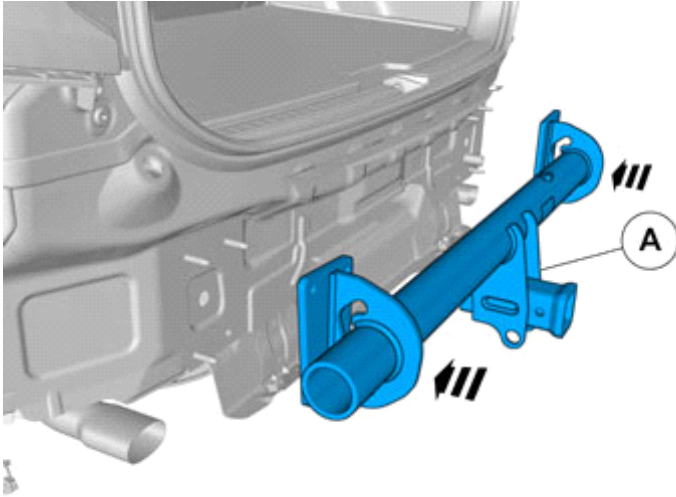
Accessory installation



Installation instructions, accessories

Volvo Car Corporation Gothenburg, Sweden

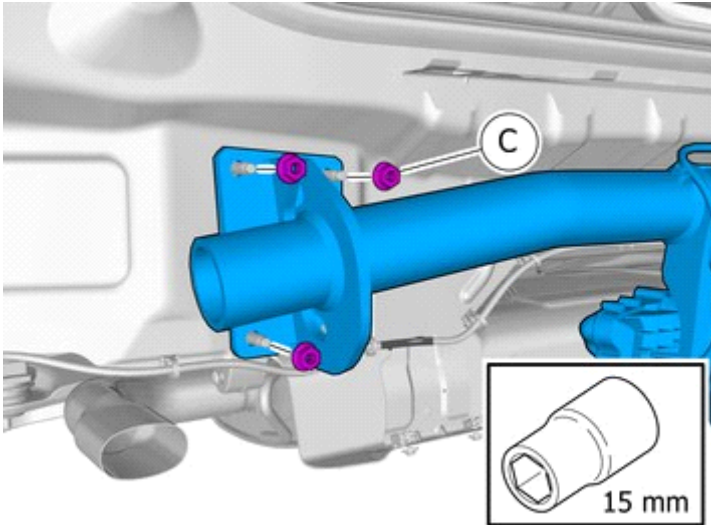
20



IMG-382024

Install component that comes with the accessory kit.

21

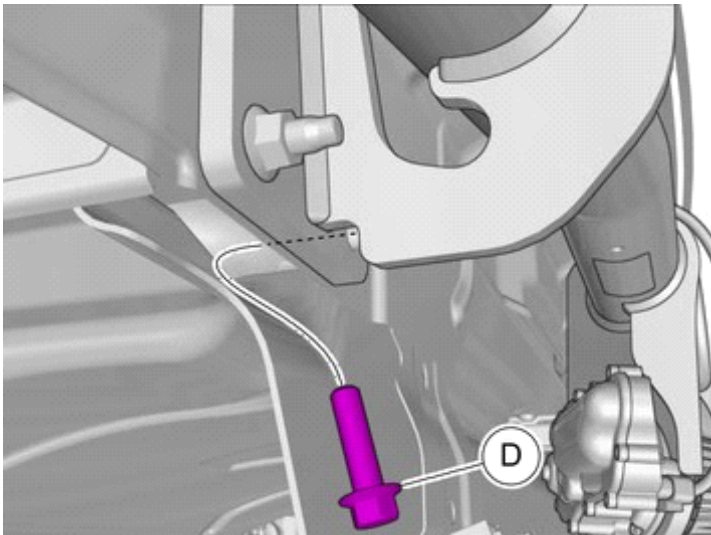


IMG-381874

Install the nuts

Repeat on the other side.

22



IMG-386120

Install the screw.

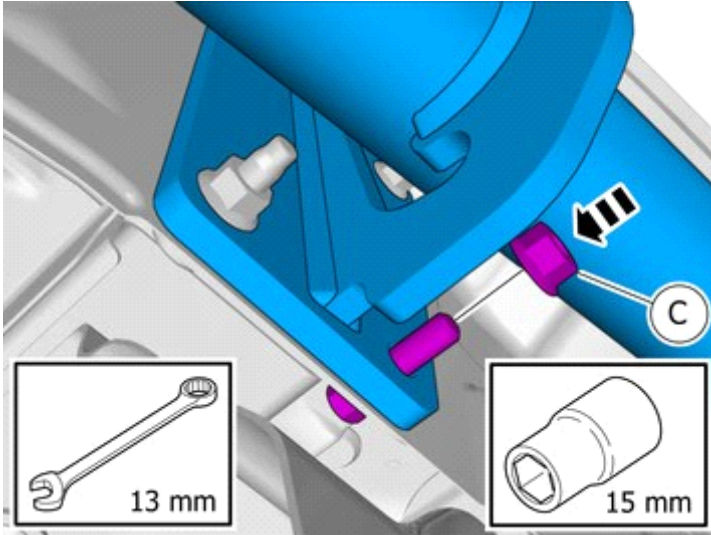
Repeat on the other side.



Installation instructions, accessories

Volvo Car Corporation Gothenburg, Sweden

23

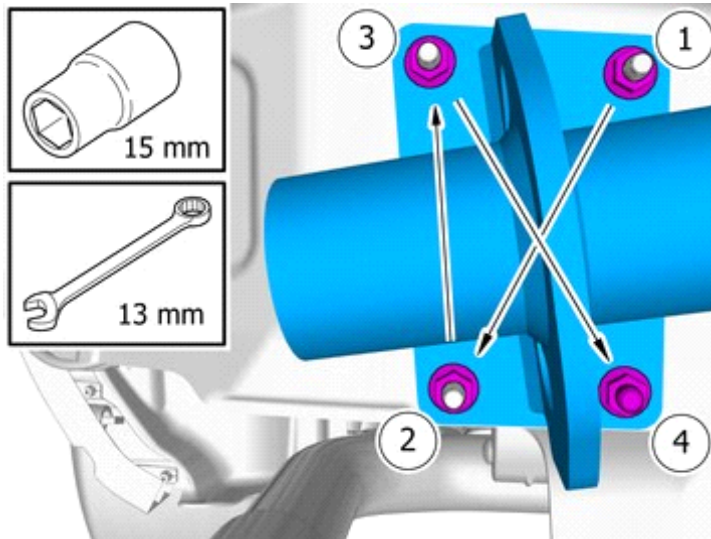


IMG-386113

Install the nut.

Repeat on the other side.

24



IMG-399383

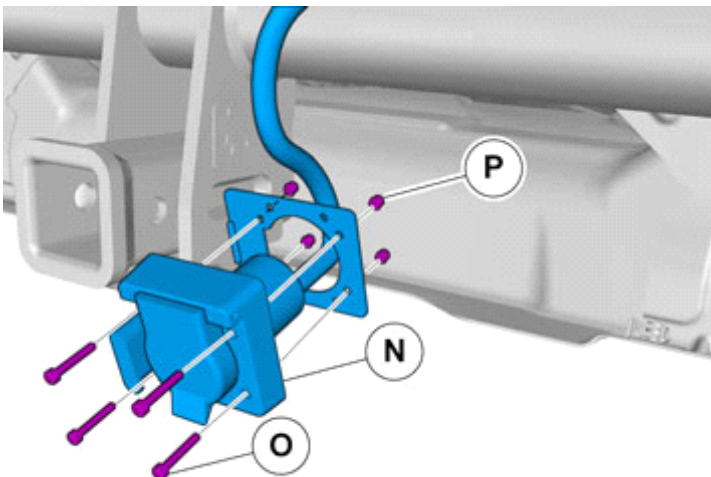
Tightening torque: Tow hitch member mounting to body frame

Stage 1: 50 Nm

Stage 2: 30 Degree

Repeat on the other side.

25



Install component that comes with the accessory kit.

Install the screws.

Install the nuts

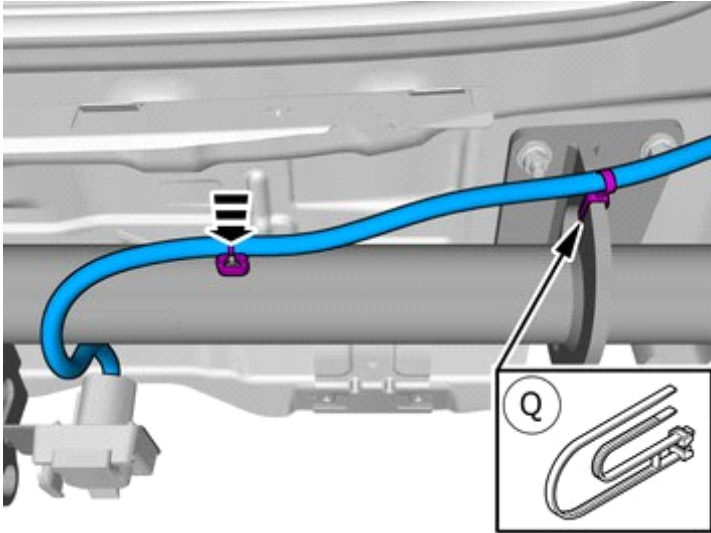
IMG-382038



Installation instructions, accessories

Volvo Car Corporation Gothenburg, Sweden

26

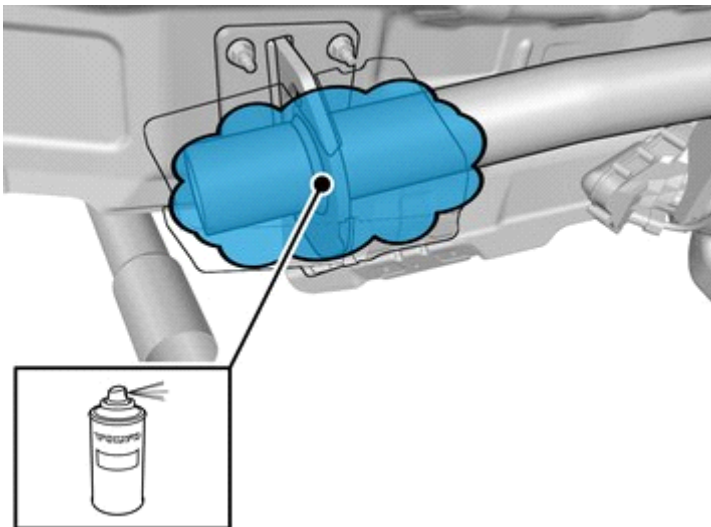


IMG-386719

Fasten the wiring harness using the existing clips.

Install component that comes with the accessory kit.

27



IMG-390648

Note!
Make sure that the entire marked area is treated as indicated in graphic.

Use: 30749880, Grease

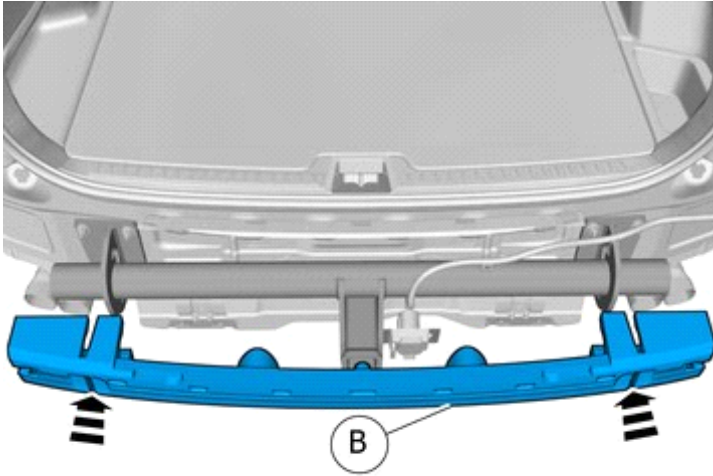
On both sides.



Installation instructions, accessories

Volvo Car Corporation Gothenburg, Sweden

28

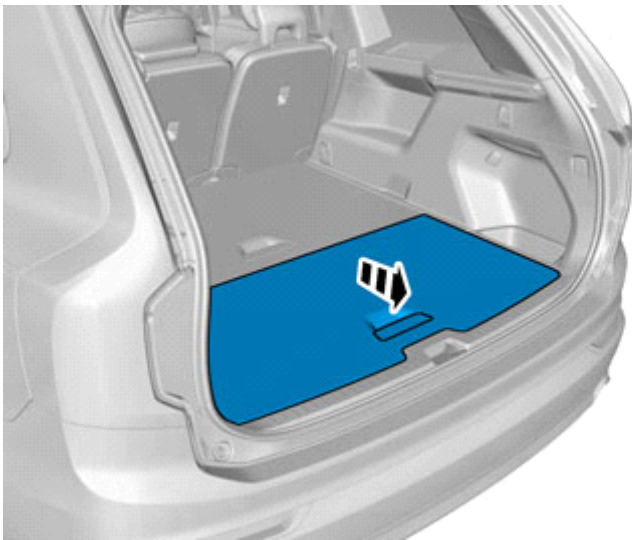


Install component that comes with the accessory kit.

IMG-404149

Removal

29



Remove the marked part.

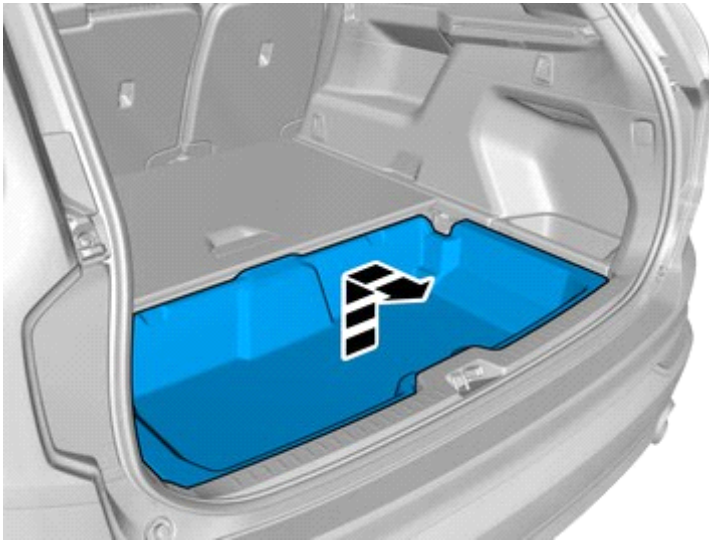
IMG-383040



Installation instructions, accessories

Volvo Car Corporation Gothenburg, Sweden

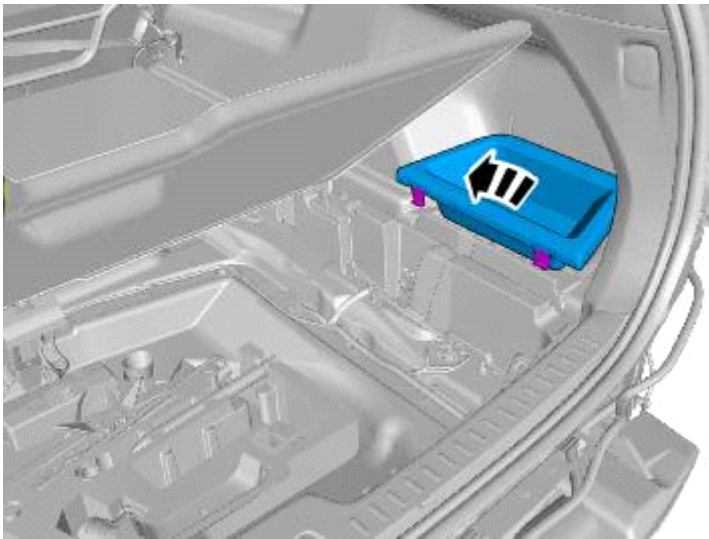
30



IMG-394727

Remove the marked part.

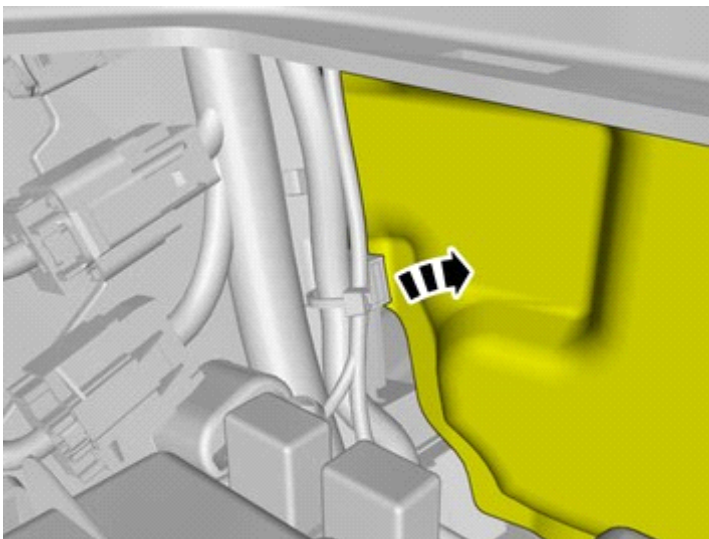
31



IMG-381879

Remove the marked part.

32



IMG-385592

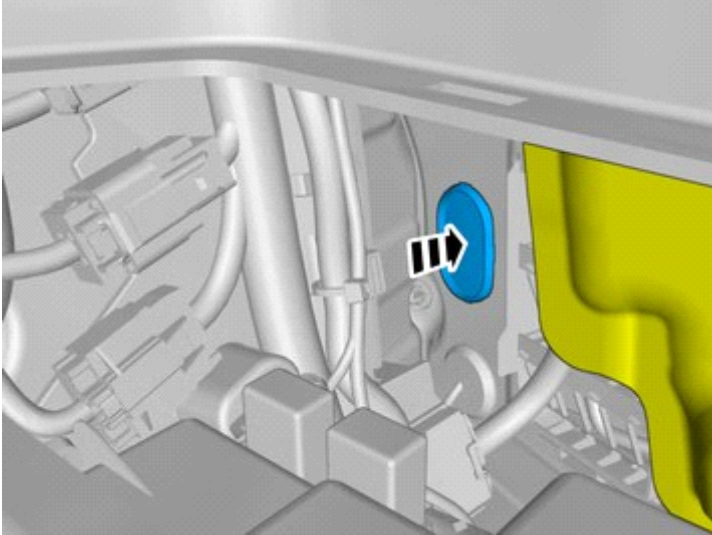
Fold the insulation to one side.



Installation instructions, accessories

Volvo Car Corporation Gothenburg, Sweden

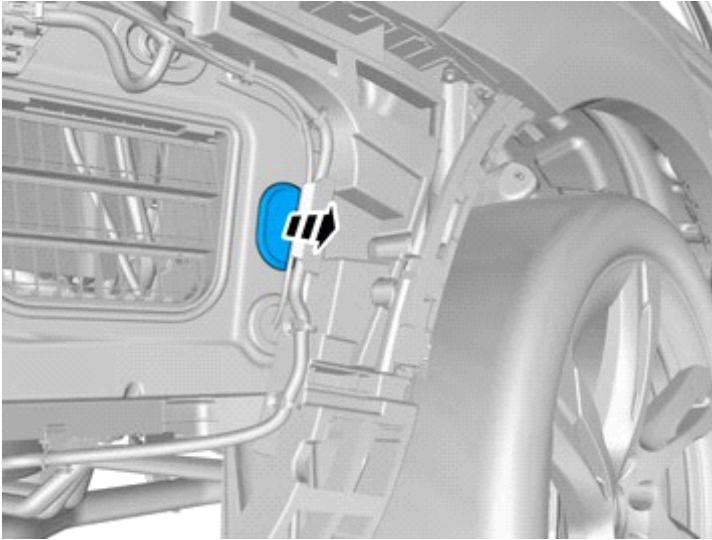
33



IMG-385593

Locate the rubber grommet under the insulation and press it out.

34



IMG-385583

The part is not to be reused.

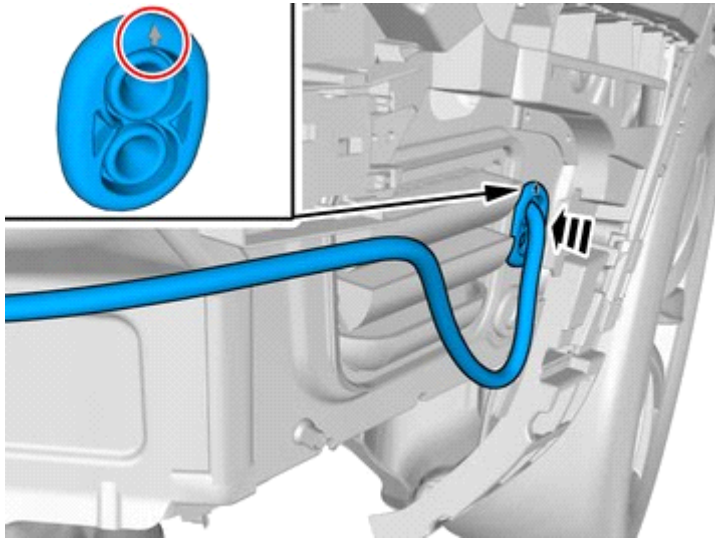
Accessory installation



Installation instructions, accessories

Volvo Car Corporation Gothenburg, Sweden

35



IMG-404145

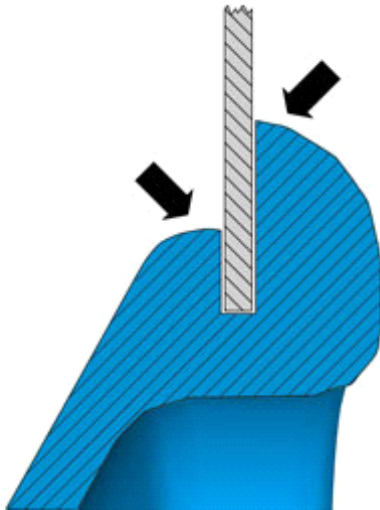
Note!

Note the position.

Position/route the cable harness as illustrated.

Route the wiring harness into the passenger compartment.

36



IMG-358177

Caution!

Make sure that the rubber grommet seals properly to the body.

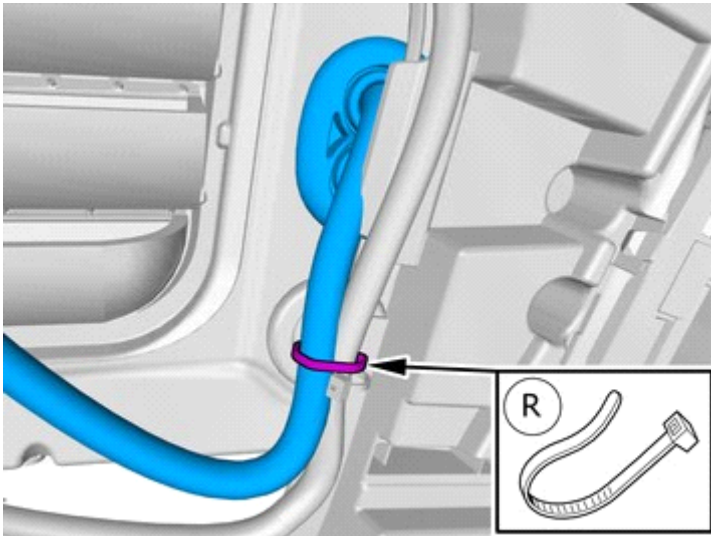
Alternative 1



Installation instructions, accessories

Volvo Car Corporation Gothenburg, Sweden

37



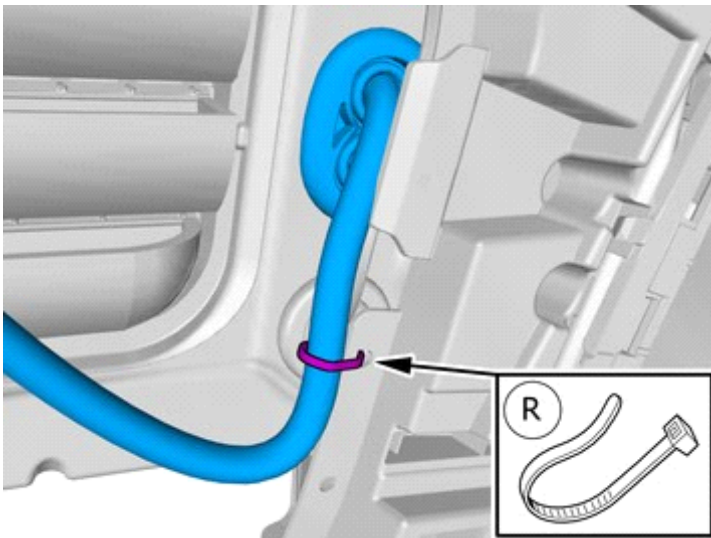
IMG-404146

Position/route the cable harness as illustrated.

Install the wiring harness.

Alternative 2

38



IMG-404147

Position/route the cable harness as illustrated.

Install the wiring harness.

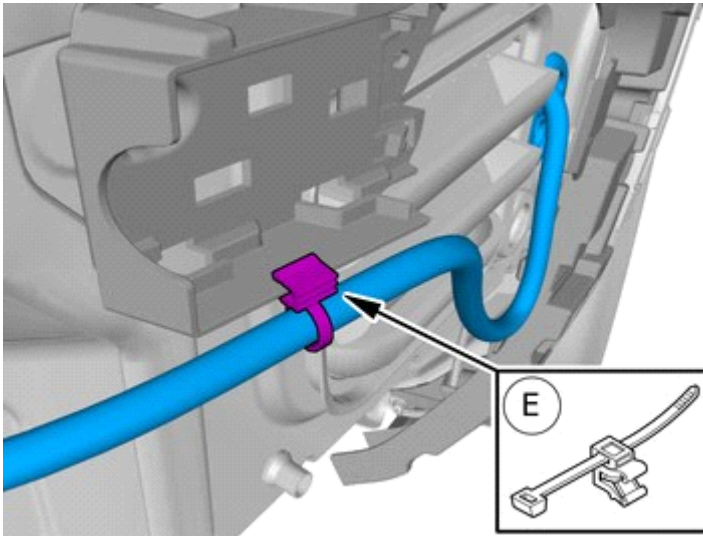
All vehicles



Installation instructions, accessories

Volvo Car Corporation Gothenburg, Sweden

39

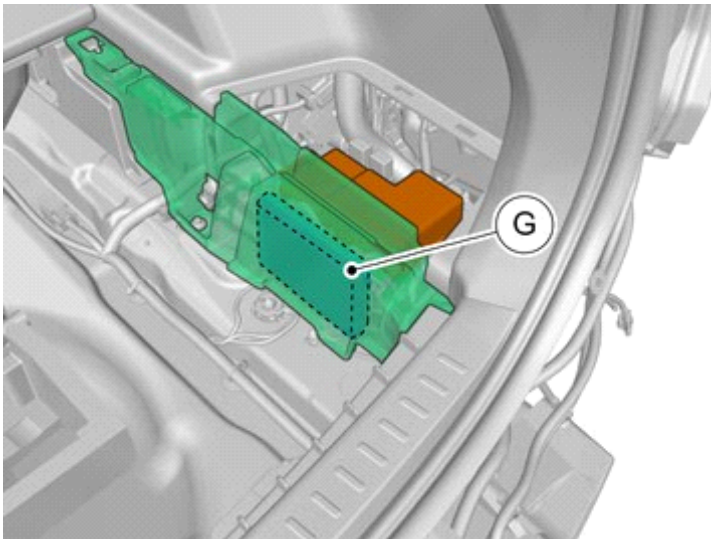


IMG-404148

Position/route the cable harness as illustrated.

Install the wiring harness.

40



IMG-385805

Note!
Orientation view

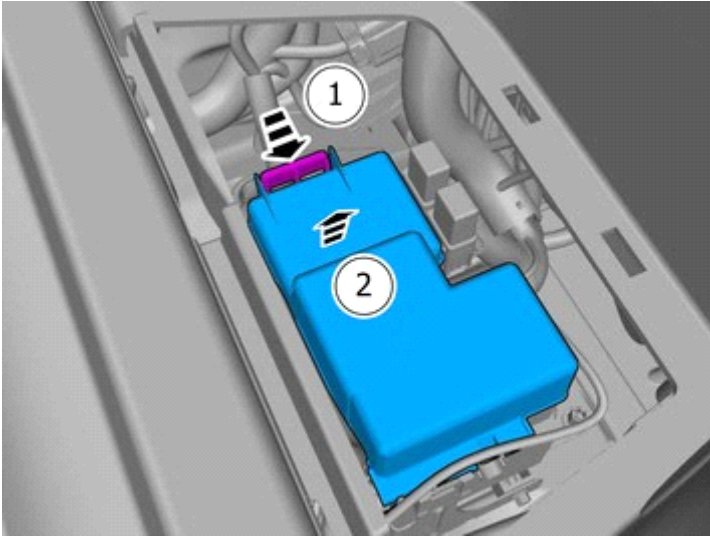
Removal



Installation instructions, accessories

Volvo Car Corporation Gothenburg, Sweden

41

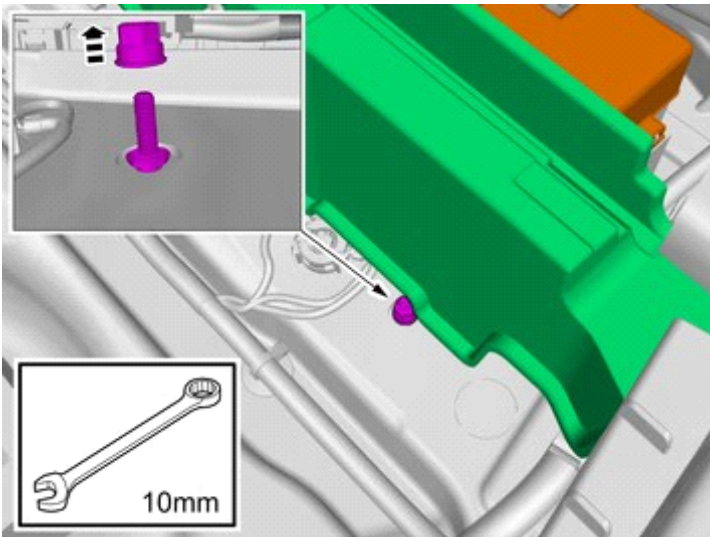


IMG-385513

Release the catch.

Remove the marked part.

42



IMG-385668

Remove the nut.

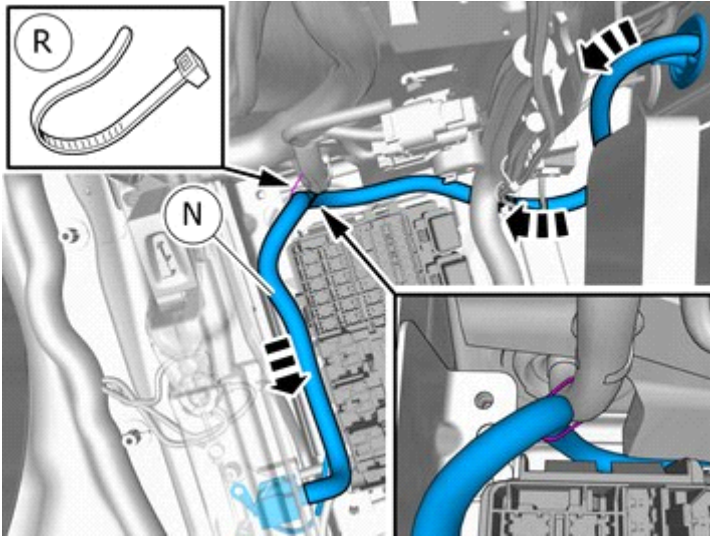
Accessory installation



Installation instructions, accessories

Volvo Car Corporation Gothenburg, Sweden

43

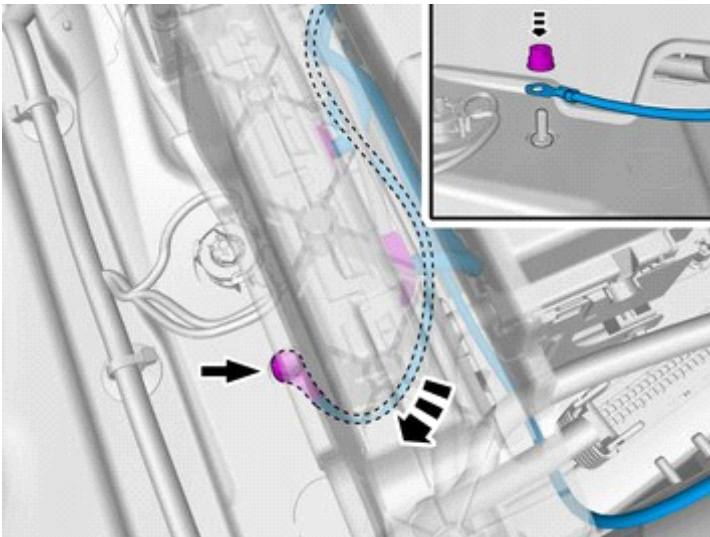


IMG-393905

Route the cable harness to the existing cable harness.

Install the cable.

44



IMG-381883

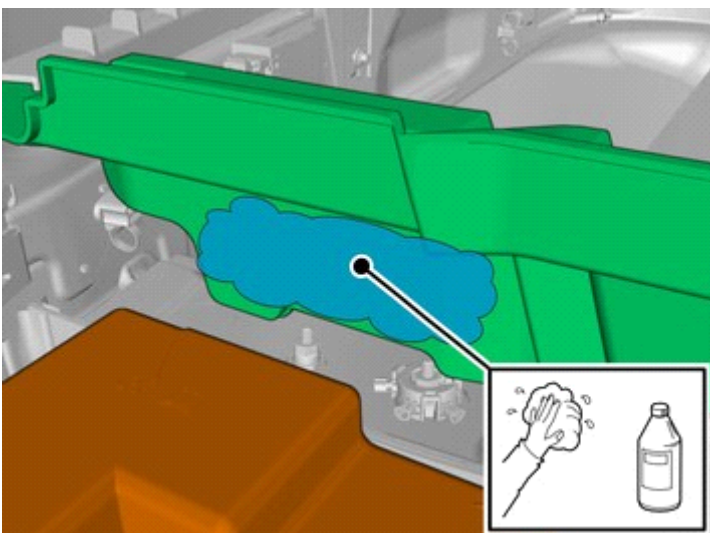
Ground connection

Connect the cable.

Install the nut.

Tightening torque: M6 , 10 Nm

45



IMG-382156

Clean the surface.

Use: 1161721, Isopropanol

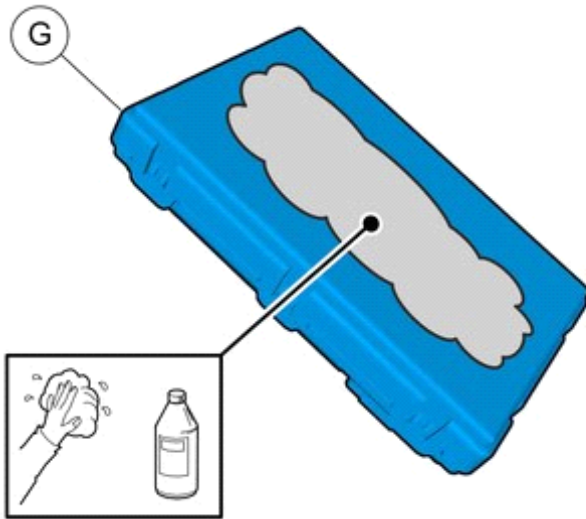
Wipe dry.



Installation instructions, accessories

Volvo Car Corporation Gothenburg, Sweden

46



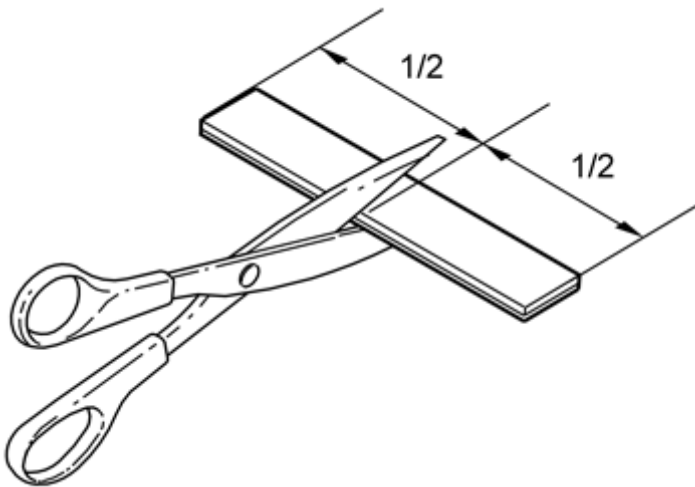
IMG-385629

Clean the surface.

Use: 1161721, Isopropanol

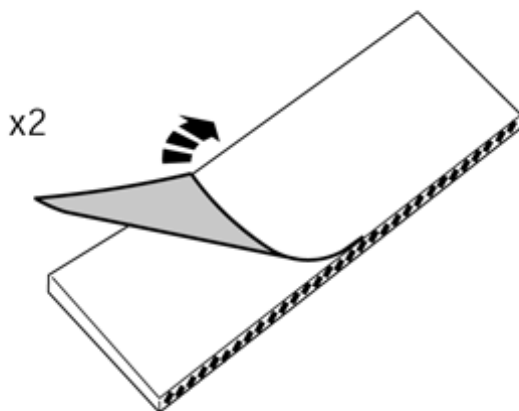
Wipe dry.

47



IMG-222282

48



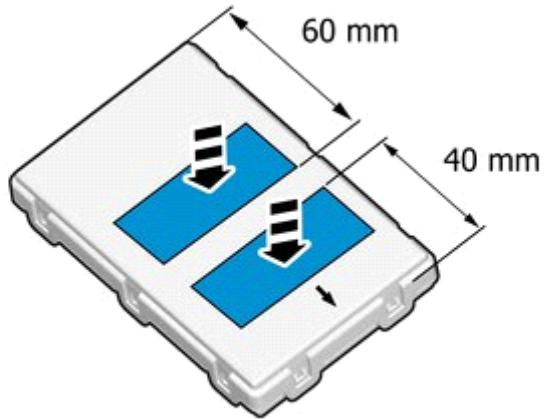
IMG-241925



Installation instructions, accessories

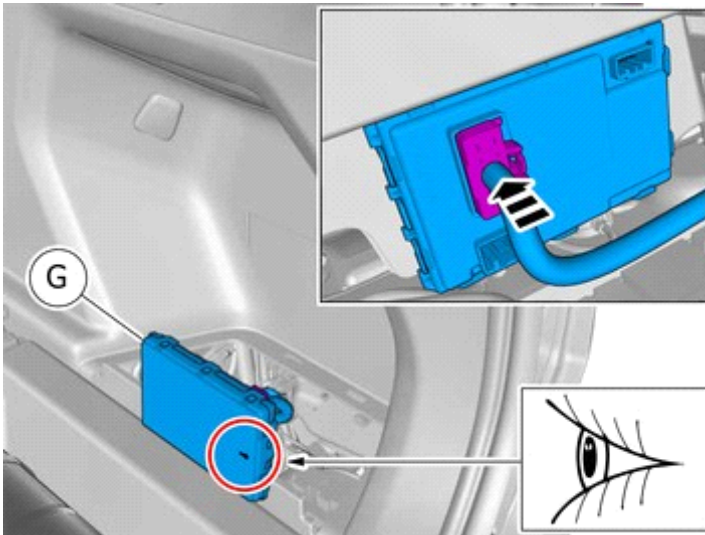
Volvo Car Corporation Gothenburg, Sweden

49



IMG-392341

50



IMG-392265

Note!

Note the position.

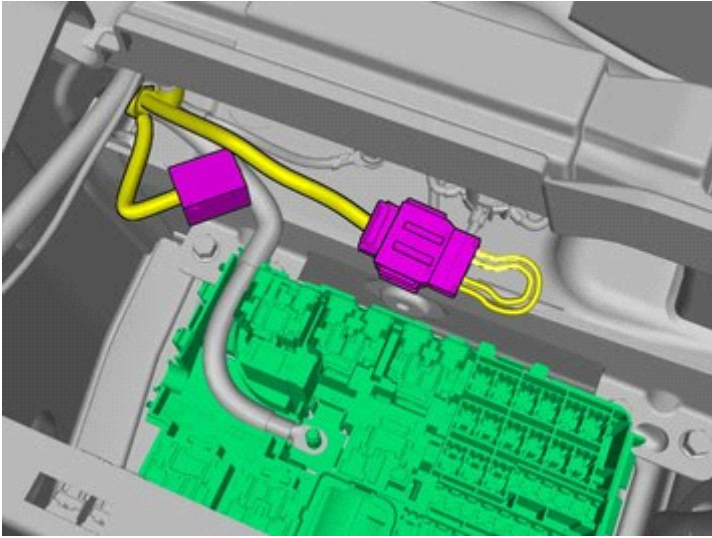
Connect the prerouted cables.



Installation instructions, accessories

Volvo Car Corporation Gothenburg, Sweden

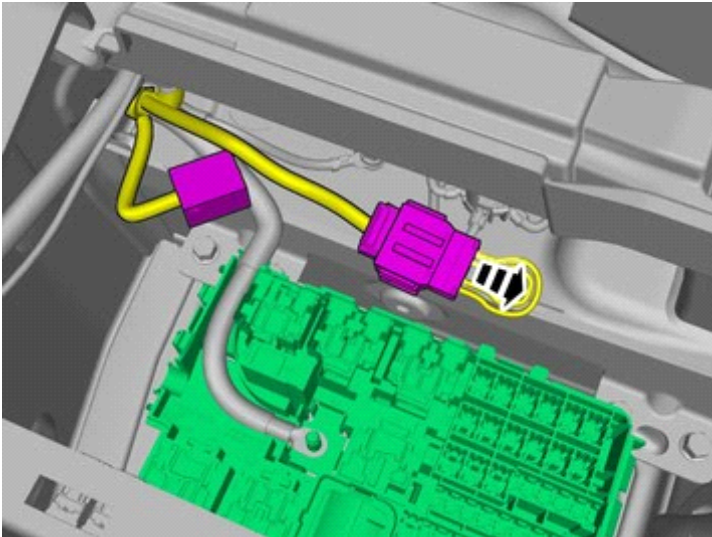
51



IMG-393935

Locate the pre-routed connectors.

52

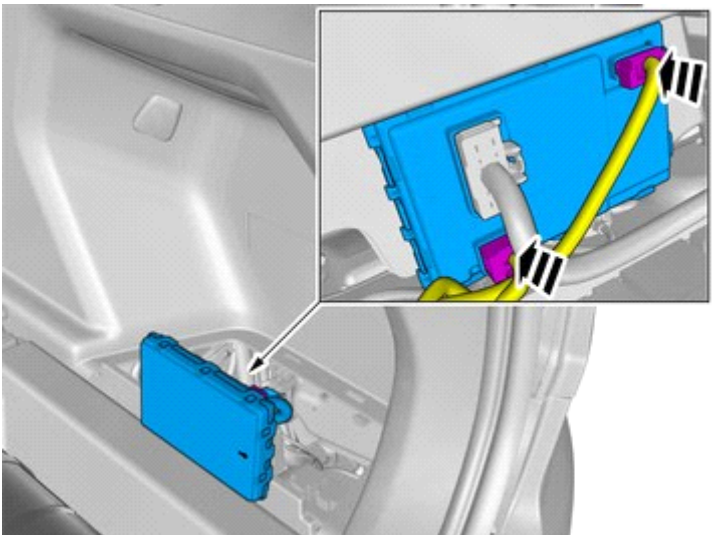


IMG-396797

Disconnect the connector.

The part is not to be reused.

53



IMG-392270

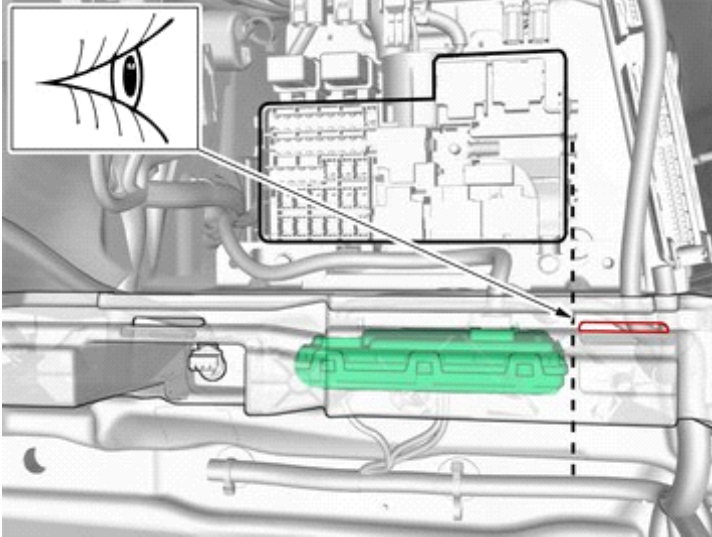
Connect the connectors.



Installation instructions, accessories

Volvo Car Corporation Gothenburg, Sweden

54



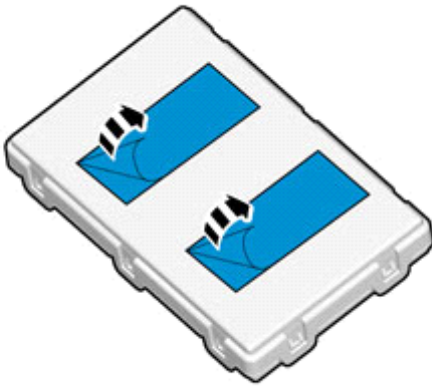
IMG-392282

Note!
Orientation view

Note!
Note the position.

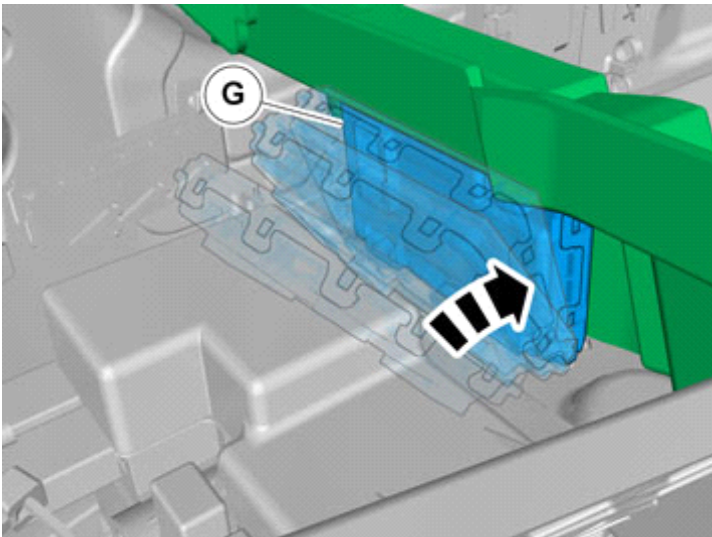
55

Remove the protective film.



IMG-356352

56



IMG-381889

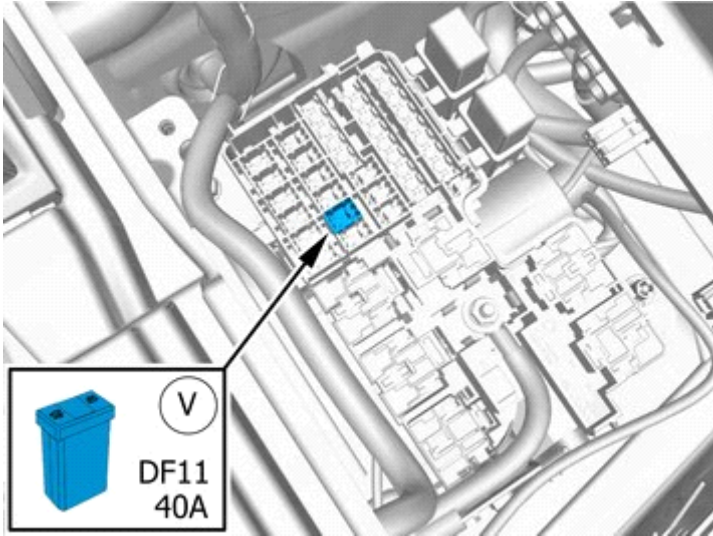
Install component that comes with the accessory kit.



Installation instructions, accessories

Volvo Car Corporation Gothenburg, Sweden

57



IMG-404150

Note!

Note the position.

Install component that comes with the accessory kit.

Alternative 1

58



IMG-392427

Note!

Orientation view

Alternative 2

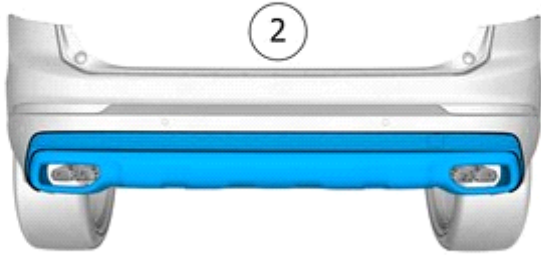


Installation instructions, accessories

Volvo Car Corporation Gothenburg, Sweden

59

Note!
Orientation view

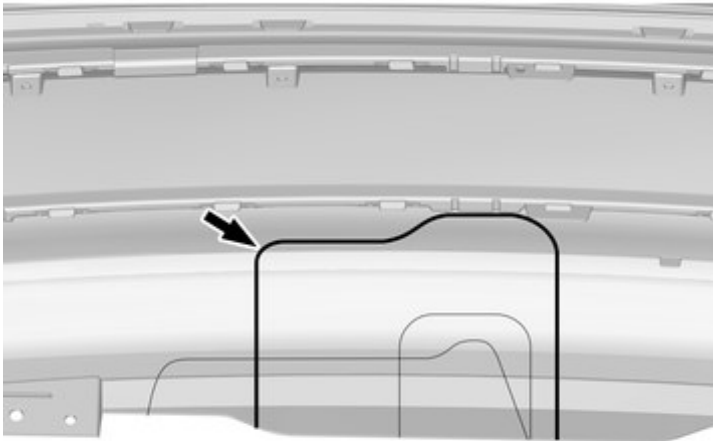


IMG-387079

Removal

Alternative 1

60



Locate relevant marking.

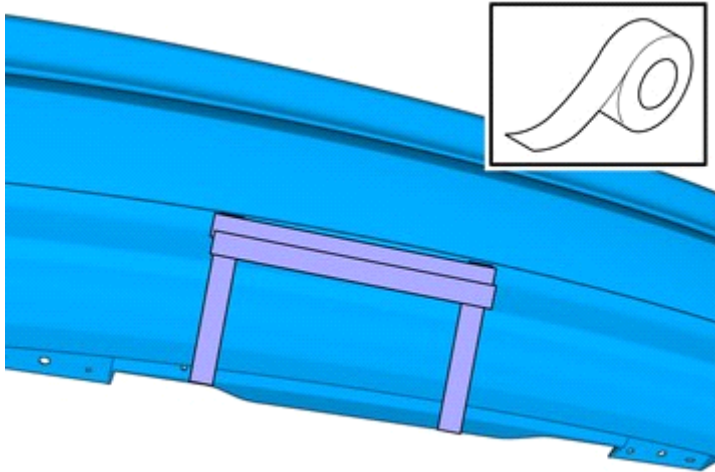
IMG-387018



Installation instructions, accessories

Volvo Car Corporation Gothenburg, Sweden

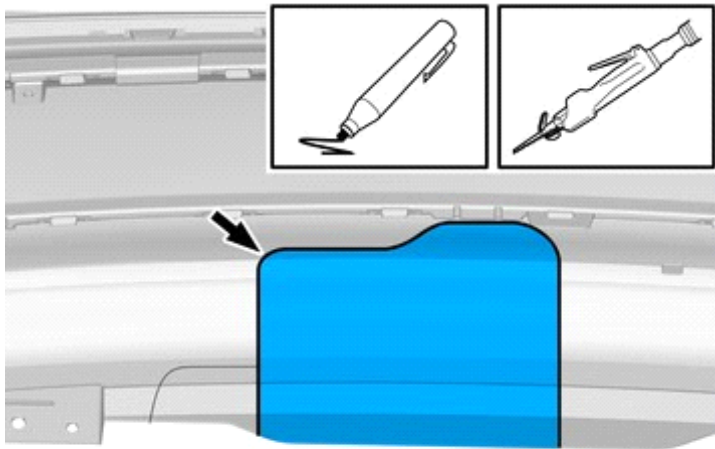
61



Apply tape to the other side, opposite the marking lines.

IMG-387032

62



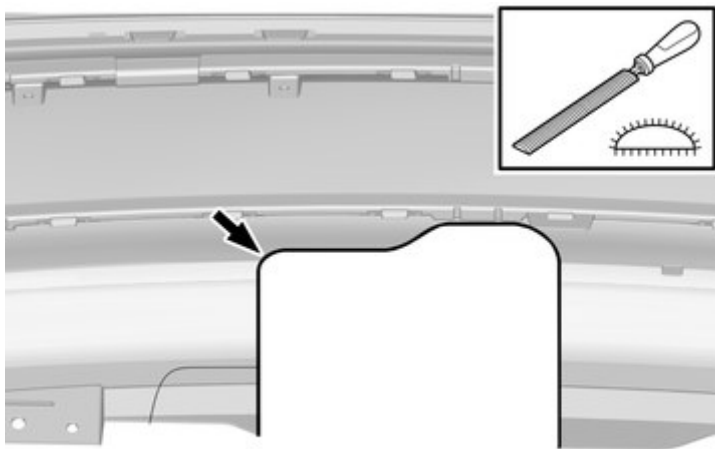
Scribe/mark up

Remove the marked part.

Use: Air-powered keyhole saw

IMG-387035

63



Deburr edges

Remove the tape.

IMG-387036



Installation instructions, accessories

Volvo Car Corporation Gothenburg, Sweden

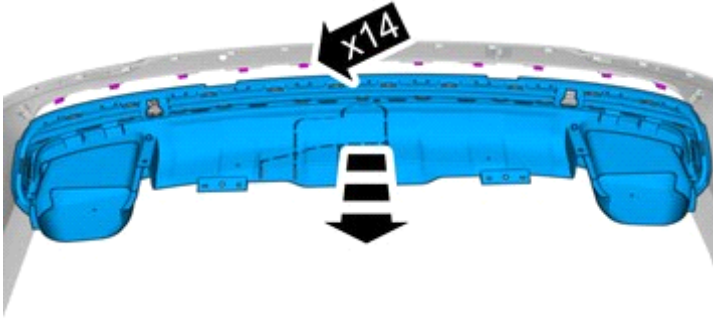
Alternative 2

64

Release the catches.

Use: Interior trim remover

Remove the panel.

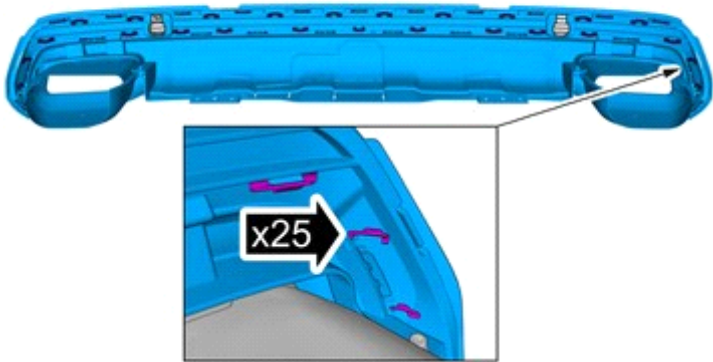


IMG-386794

65

Release the catches.

Use: Interior trim remover



IMG-386814



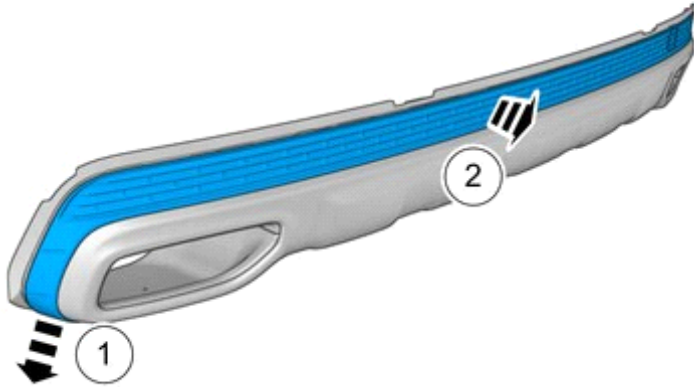
Installation instructions, accessories

Volvo Car Corporation Gothenburg, Sweden

66

Remove the panel.

The part is to be reused.

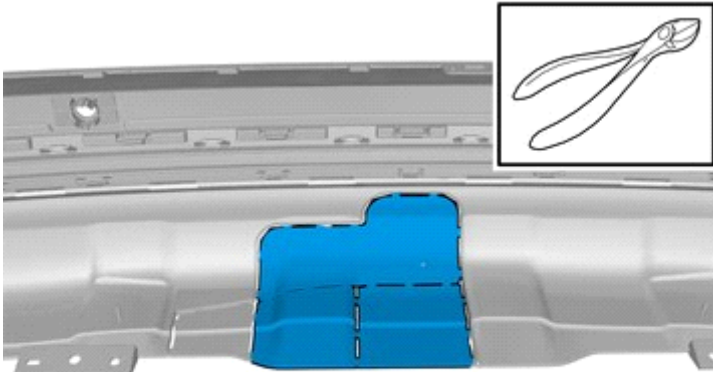


IMG-386819

Accessory installation

67

Cut following the dotted lines.



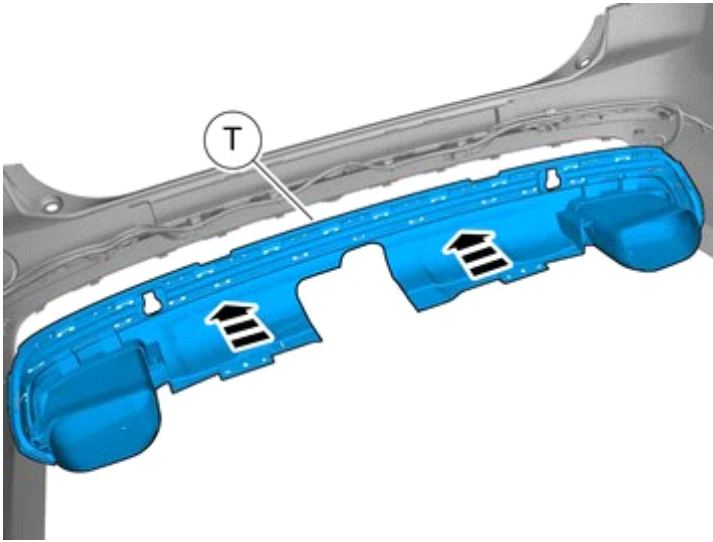
IMG-400605



Installation instructions, accessories

Volvo Car Corporation Gothenburg, Sweden

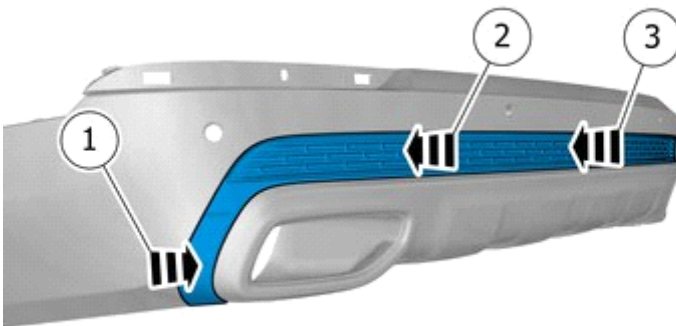
68



IMG-393972

Install component that comes with the accessory kit.

69



IMG-401050

Reinstall the removed part.

Repeat on the other side.

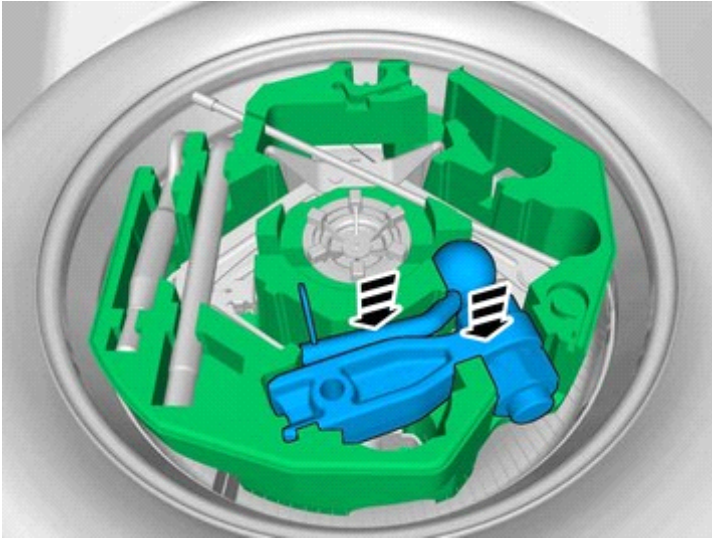
All vehicles



Installation instructions, accessories

Volvo Car Corporation Gothenburg, Sweden

70

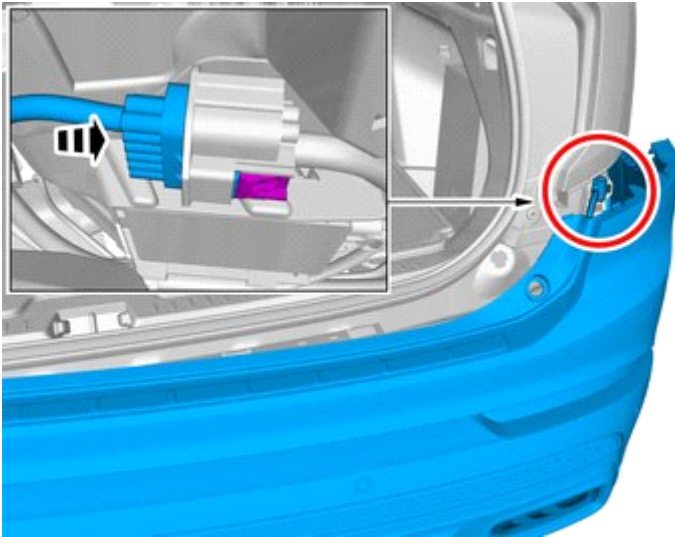


IMG-396067

Place the component where indicated in the graphic.

Installation

71



IMG-395285

Request the aid of a colleague for this procedure.

Connect the connector.



Installation instructions, accessories

Volvo Car Corporation Gothenburg, Sweden

72

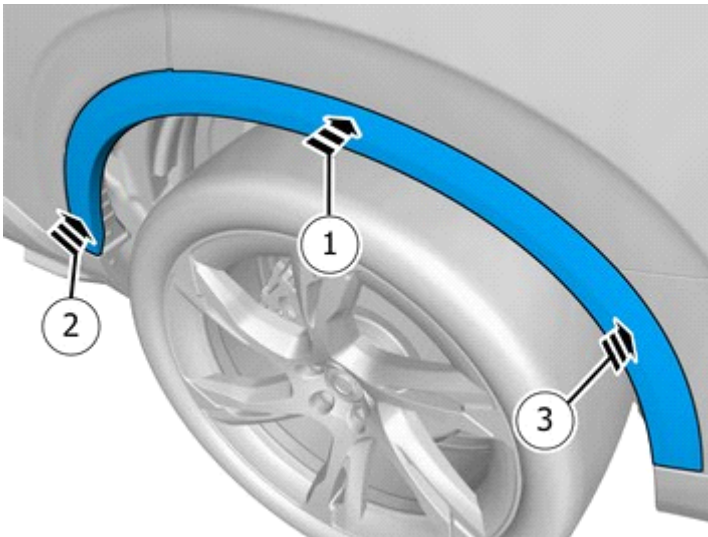


Reinstall the bumper.

Request the aid of a colleague for this procedure.

IMG-395286

73



Note!

Make sure to follow the sequence indicated.

Reinstall the removed part.

Ensure that all clips engage.

Repeat on the other side.

IMG-402997

74

Reinstall the removed parts in reverse order.

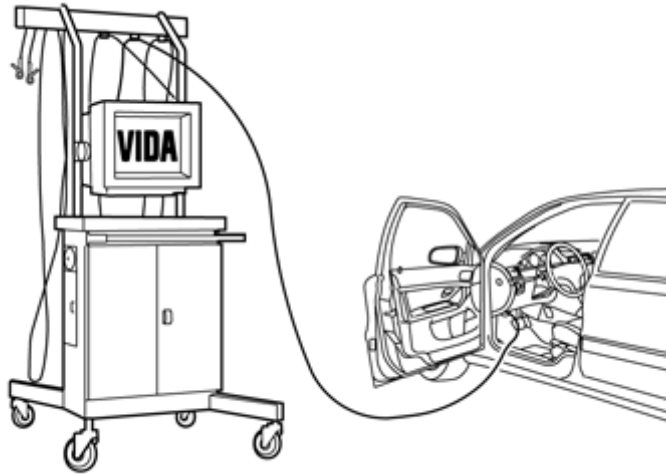
IMG-377070



Installation instructions, accessories

Volvo Car Corporation Gothenburg, Sweden

75



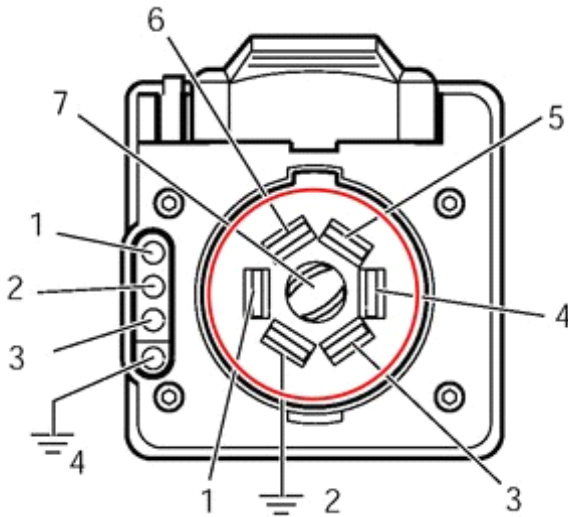
IMG-242268

Download software (application) for the accessory's function according to the service information in VIDA. See VIDA or the accessories catalogue for software part number.

Order and download software according to: 31346719

Check

76



IMG-384866

Warning!

Check for correct operation after the installation.

Note!

To activate the trailer module (TRM) at least two light sources (lamps) must be connected. This can be done by connecting test equipment for the trailer connector, or a trailer.

Note!

The trailer module (TRM) must be programmed with correct software to function correctly.

7-pin connection

1. Brake lamp/Left indicator
2. Ground connection
3. Spare slot (brake lamp, electrical trailer brake)
4. Stop lamp/ Right turn signal lamp
5. Charging
6. Position lamp
7. Spare (back-up light)

The wire for pin 3 for 7-pin connection is blue (BL)

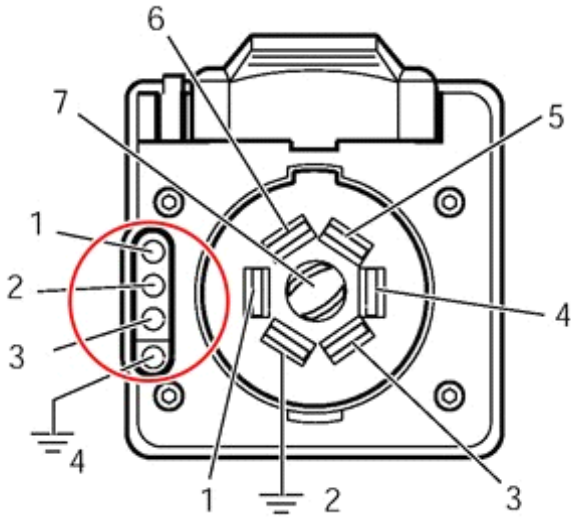


Installation instructions, accessories

Volvo Car Corporation Gothenburg, Sweden

The cable is secured at the wiring approximately 1 metre from the trailer connector.

77



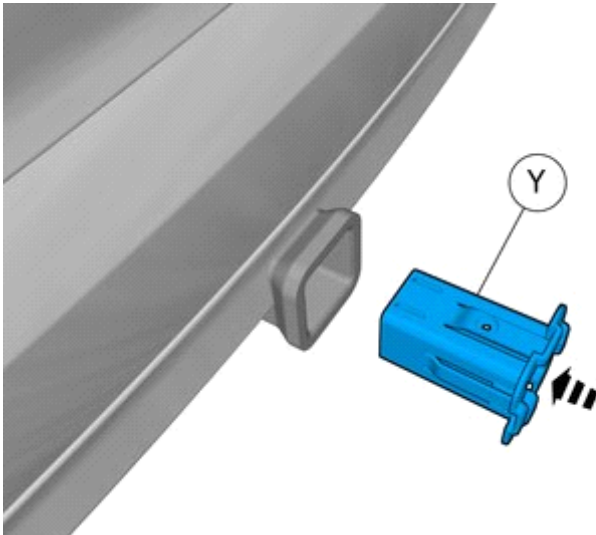
IMG-384862

4-pin connection

1. Stop lamp/ Right turn signal lamp
2. Brake lamp/Left indicator
3. Position lamp
4. Ground connection

Accessory installation

78



IMG-403006

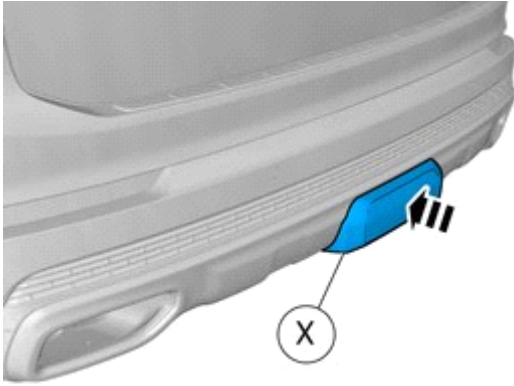
Install component that comes with the accessory kit.



Installation instructions, accessories

Volvo Car Corporation Gothenburg, Sweden

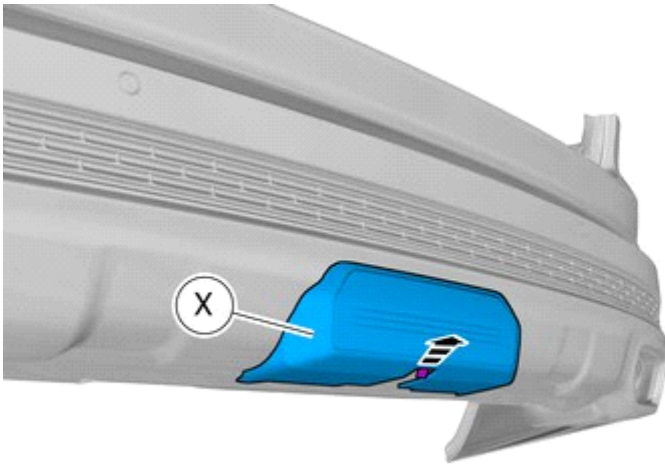
79



Install component that comes with the accessory kit.

IMG-401080

80

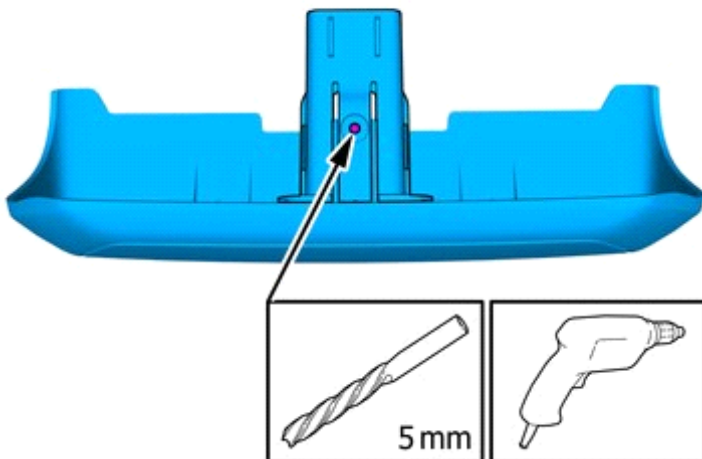


Remove the part carefully

IMG-403008

81

Use a drill with the stated size



IMG-403009

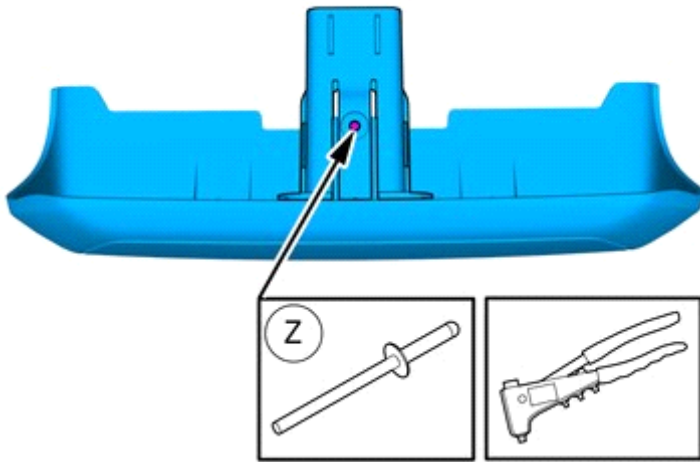


Installation instructions, accessories

Volvo Car Corporation Gothenburg, Sweden

82

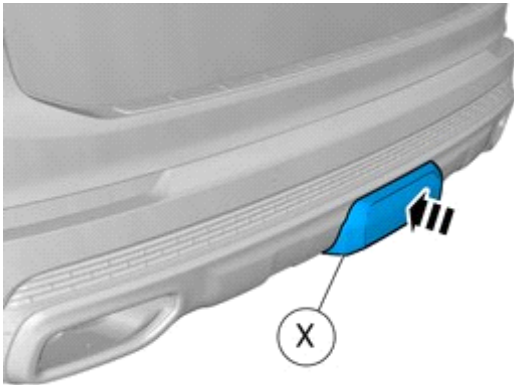
Install component that comes with the accessory kit.



IMG-403011

83

Install component that comes with the accessory kit.



IMG-401080